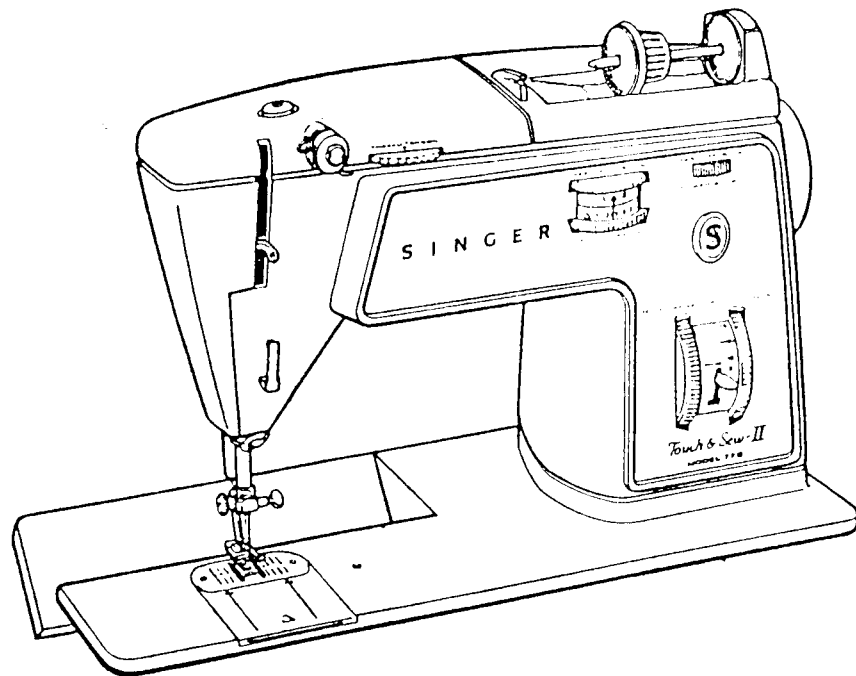
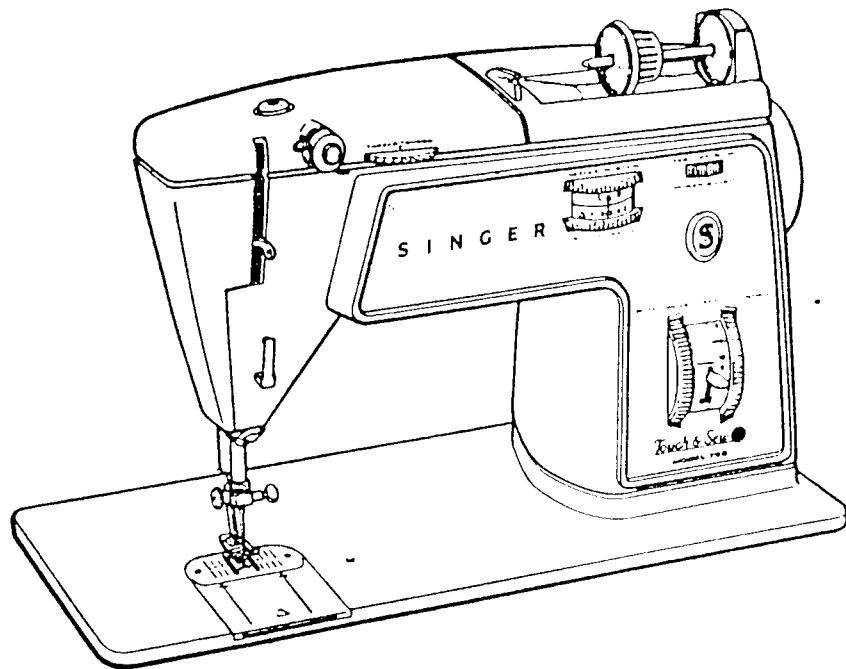


**SINGER**  
**758E/778E**

Supplemental  
List of Parts—Machines 758E/778E

620' 173 745778

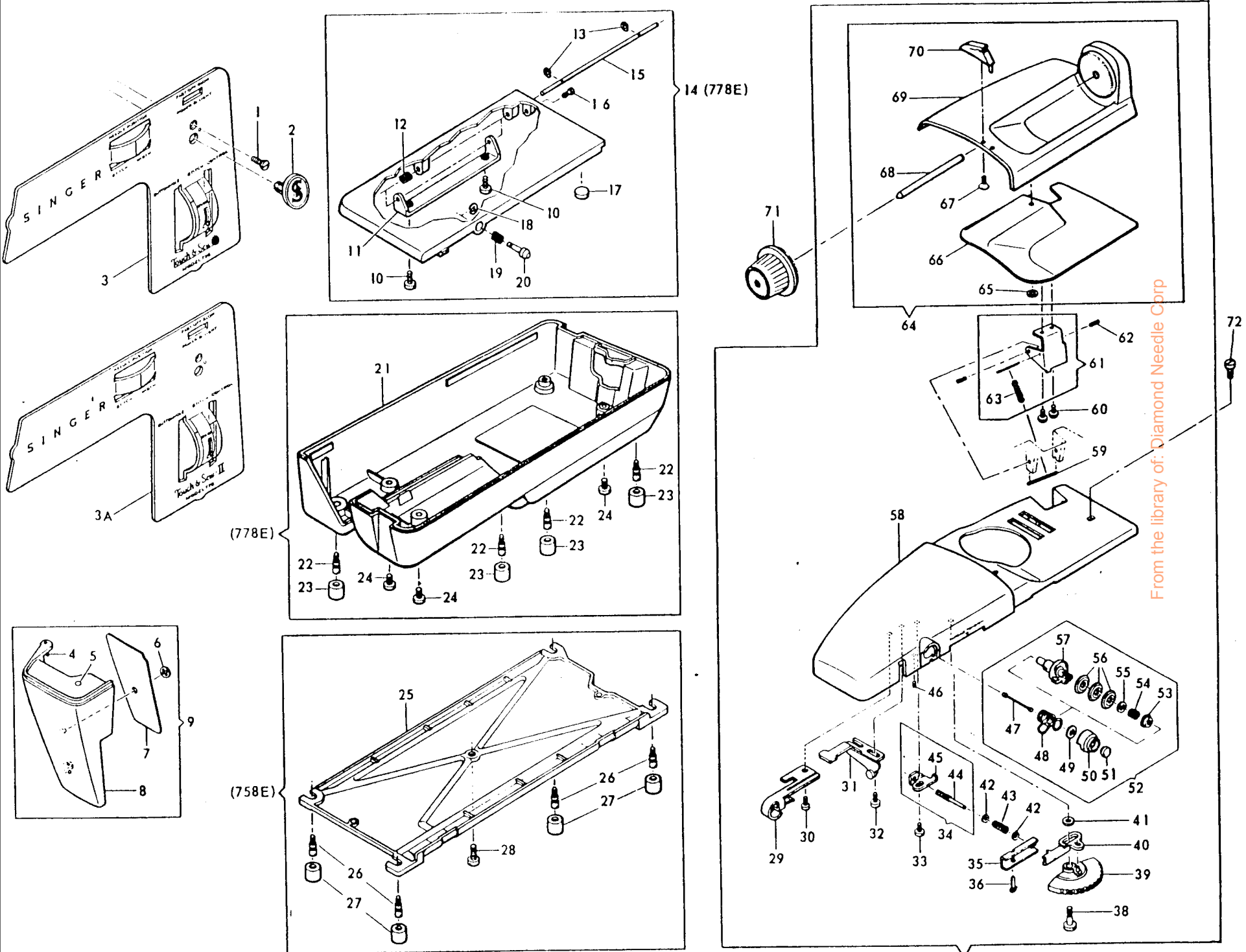


ATTACHMENT SET NO. 171489

- |            |   |
|------------|---|
| 103473     | Needle Pack (plastic) with Needles Cat. 2028 and Two each Cat. 2020 and Cat. 2045 |
| 161172     | Seam and Blindstitch Hem Guide Complete   |
| 161917-001 | Presser Foot Plate (snap-on) for sewing buttonholes                               |
| 161919     | Presser Foot Plate (snap-on) for Straight Stitching                               |
| 161921     | Presser Foot Plate (snap-on, slotted) for Overedge Stretch Stitch                 |
| 163131     | Bobbin (3)  |
| 163455     | Chainstitch Attachment Thread Guide   |
| 171138     | Feed Cover Plate, for darning and embroidery                                      |
| 171150-656 | Spool Pin, for Twin-Needle Stitching  |
| 171230-656 | Attachment Box Complete   |
| 171317     | Disc No. 1, for Arrowhead Stitch  |
| 171319     | Disc No. 3, for Diamond Stitch  |
| 171322     | Disc No. 6, for Crescent Stitch   |
| 171323     | Disc No. 8, for Blind Stitch  |
| 171324     | Disc No. 9, for Multiple Zig-Zag Stitch   |
| 171325     | Disc No. 10, for Ball Stitch  |
| 171328     | Disc No. 18, for Solid Pyramid Stitch   |
| 171412     | Chainstitch Attachment Loop Retainer Disc   |
| 171463     | Special Purpose Presser Foot (snap-on)  |
| 171467     | Chainstitch Attachment Throat Plate   |
| 171468     | Throat Plate, for Straight Stitching  |
| 171480     | Presser Foot Plate (snap-on) for Cording and Slide Fasteners                      |
| 172691     | Disc (double) No. 51, for Feather Stitch  |
| 172692     | Disc (double) No. 52, for Duck Stitch   |
| 172694     | Disc (double) No. 54, for Turkish Hemstitch                                       |
| 172696     | Disc (double) No. 56, for Star Stitch   |
| 381066     | Presser Foot, for button sewing   |
| 381238     | Disc (double) No. 60, for Overedge Stretch Stitch                                 |

For Parts Not Illustrated, Refer to  
List of Parts for 758 Machine

# List of Parts-Machines Nos. 758E/778E (Covers)

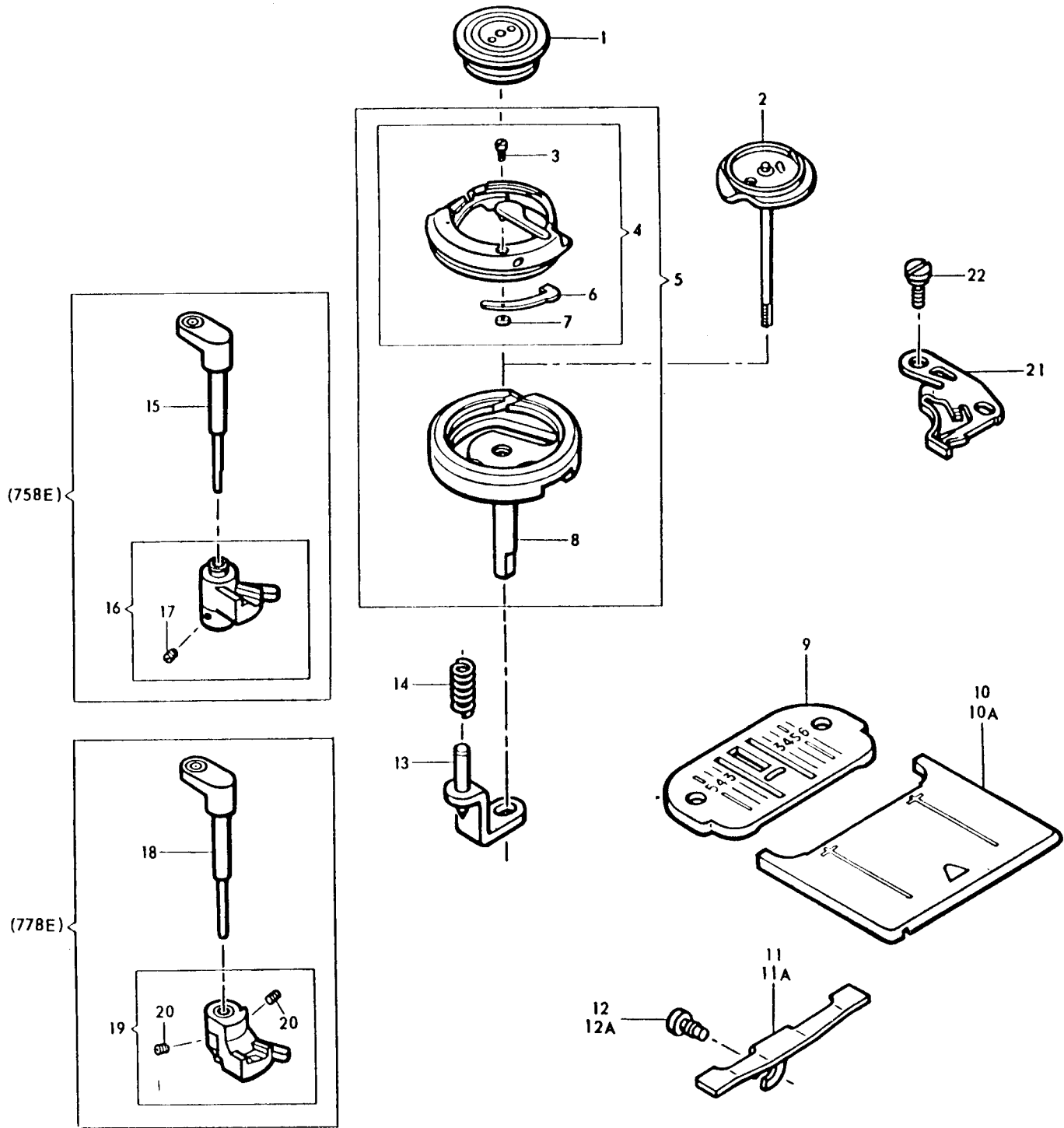


From the library of: Diamond Needle Corp

List of Parts-Machines Nos. 758E/778E (Covers)

REF. NO.	PART NO.	DESCRIPTION	REF. NO.	PART NO.	DESCRIPTION	REF. NO.	PART NO.	DESCRIPTION
1	141890-819	Control Panel Screw	26	141882-809	Bed Cover (bottom) Cushion Screw (4)	47	174397	Tension Disc Pressure Pin
2	174445	Control Panel Insert	27	174124	Bed Cover (bottom) Cushion (rubber) (4)	48	174416	Thread Take-up Spring
3	172622	Control Panel (758)	28	139861-856	Bed Cover Plate (bottom) Fastening Screw	49	174394	Tension Cap and Slack Thread Regulator Friction Washer
3A	382725	Control Panel (778)	29	182198	Face Plate Catch	50	174393-656	Tension Cap and Slack Thread Regulator (plastic)
4	170032	Face Plate Hinge Pin (2)	30	141246-814	Face Plate Catch Screw	51	174395-839	Tension Cap and Slack Thread Regulator Nut
5	21440-814	Face Plate Catch Looking Pin	31	174406	Tension Releasing Lever	52	172820-656	Tension complete, Nos. 172690, 174393-656, 174394, 174395-839, 174397, 174398, 174416, 174418, 174419 and three 174396
6	172804	Threading Diagram Retainer	32	141877-814	Tension Releasing Lever Mounting Bracket Screw	53	174419	Pre-Tension Spring Adjusting Nut
7	174470-656	Threading Diagram	33	141879-803	Tension Spring Adjusting Screw Mounting Bracket Screw	54	174418	Pre-Tension Spring
8	174177-656	Face Plate with 21440-814 and two 170032	34	172867	Tension Spring Adjusting Screw Mounting Bracket 172866 with 139925-451	55	174398	Tension Disc Pressure Plate
9	174178-656	Face Plate with 21440-814, 172804, 174470-656 and two 170032	35	174404	Tension Regulating Slide Plate	56	174396	Tension Disc (3)
10	141860-814	Bed (convertible) Lid Hinge Bracket Screw (2)	36	172906	Tension Regulating Slide Plate Spring Clip	57	172690	Tension Stud
11	382740	Bed (convertible) Lid Hinge Bracket	37	182214-451	Arm Top Cover with Arm Top Cover Lid Complete, Nos. 139878-869, 141248-814, 141876-803, 141877-814, 141879-803, 172675, 172820-656, 172865, 172867, 172906, 174400-656, 174403, 174404, 174406, 182198, 182211-451, 182217, 182220, 172999-451 and two each 141352-814, 172731 and 182218	58	182211-451	Arm Top Cover
12	381876	Bed (convertible) Lid Hinge Spring	38	141876-803	Tension Indicator Dial Hinge Screw	59	182220	Arm Top Cover Lid Hinge Spring Pin (lower)
13	507563	Bed (convertible) Lid Hinge Pin Retaining Ring (2)	39	174400-656	Tension Indicator Dial (plastic)	60	141352-814	Arm Top Cover Lid Hinge Screw (2)
14	382716-451	Bed (convertible) Lid Complete	40	174403	Tension Regulating Slide	61	182217	Arm Top Cover Lid Hinge
15	382741	Bed (convertible) Lid Hinge Pin	41	172675	Tension Indicator Dial Washer	62	182218	Arm Top Cover Lid Hinge Pin (2)
16	381878	Bed (convertible) Lid Positioning Button (plastic)	42	172731	Tension Spring Adjusting Screw Washer (2)	63	182219	Arm Top Cover Lid Hinge Spring
17	619491-001	Bed (convertible) Lid Pad	43	172865	Tension Spring	64	172999-451	Arm Top Cover Lid Complete
18	182195	Bed (convertible) Lid Latch Retaining Ring	44	139925-451	Tension Spring Adjusting Screw	65	172804	Stitch Pattern Index Plate Retainer
19	381877	Bed (convertible) Lid Latch Spring	45	172866	Tension Spring Adjusting Screw Mounting Bracket	66	382772-451	Stitch Pattern Index Plate
20	381874-451	Bed (convertible) Lid Latch (plastic)	46	139878-869	Tension Stud Set Screw	67	354143-451	Arm Top Cover Lid Thread Guide Screw
21	382721-451	Bed (convertible) Cover (bottom)				68	174391-656	Arm Top Cover Lid Spool Pin (plastic)
22	354222-451	Bed (convertible) Cover (bottom) Cushion Screw (4)				69	174310-656	Arm Top Cover Lid
23	381899	Bed (convertible) Cover (bottom) Cushion (rubber) (4)				70	381790-451	Arm Top Cover Lid Thread Guide Complete
24	354170-451	Bed (convertible) Cover (bottom) Fastening Screw (3)				71	163149-004	Arm Top Cover Lid Spool Pin Thread Lead-off Complete
25	174421-656	Bed Cover Plate (bottom, plastic)				72	141875-879	Arm Top Cover Screw

List of Parts-Machines Nos. 758E/778E (Hook Area)



From the library of: Diamond Needle Corp

List of Parts-Machines Nos. 758E/778E (Hook Area)

REF. NO.	PART NO.	DESCRIPTION	REF. NO.	PART NO.	DESCRIPTION	REF. NO.	PART NO.	DESCRIPTION
1	163131	Rotating Hook Bobbin	10	172956	Bed Slide (758)	16	163788	Rotating Hook Bobbin Winder
2	163246	Rotating Hook Bobbin Driver	10A	382859	Bed Slide (778)			Actuating Lever Shaft Cam
3	141203-805	Rotating Hook Bobbin Latch	11	172957	Bed Slide Spring (758)			with 141739-869 (758)
		Tension Spring Screw	11A	382713	Bed Slide Spring (778)	17	141739-869	Rotating Hook Bobbin Winder
4	163124-004	Rotating Hook Bobbin Case	12	141810-833	Bed Slide Spring Screw (758)			Actuating Lever Shaft Cam
		with 141203-805, 163042-001	12A	354519-451	Bed Slide Spring Screw (778)			Set Screw (758)
		and 163064	13	163793	Rotating Hook Bobbin Winder	18	382822-451	Rotating Hook Bobbin Winder
5	381656	Rotating Hook 163289 with			Lifting Bracket			Actuating Lever Shaft with
		163124-004	14	163791	Rotating Hook Bobbin Winder			Lever (778)
6	163042-001	Rotating Hook Bobbin Latch			Actuating Lever Shaft Cam	19	382820	Rotating Hook Bobbin Winder
		Tension Spring			Follower Spring			Actuating Lever Shaft Cam
7	163064	Rotating Hook Bobbin Latch	15	163786-656	Rotating Hook Bobbin Winder			with two 354247-451 (778)
		Tension Spring Screw Nut			Actuating Lever Shaft with	20	354247-451	Rotating Hook Bobbin Winder
8	163289	Rotating Hook			Lever (758)			Actuating Lever Shaft Cam
9	181842	Throat Plate, for Zig-Zag						Set Screw (2) (778)
		Sewing				21	382437	Rotating Hook Bobbin Case
								Cushion Spring Bracket
						22	354556-451	Rotating Hook Bobbin Case
								Cushion Spring Bracket
								Hinge Screw

From the library of: Diamond State College